



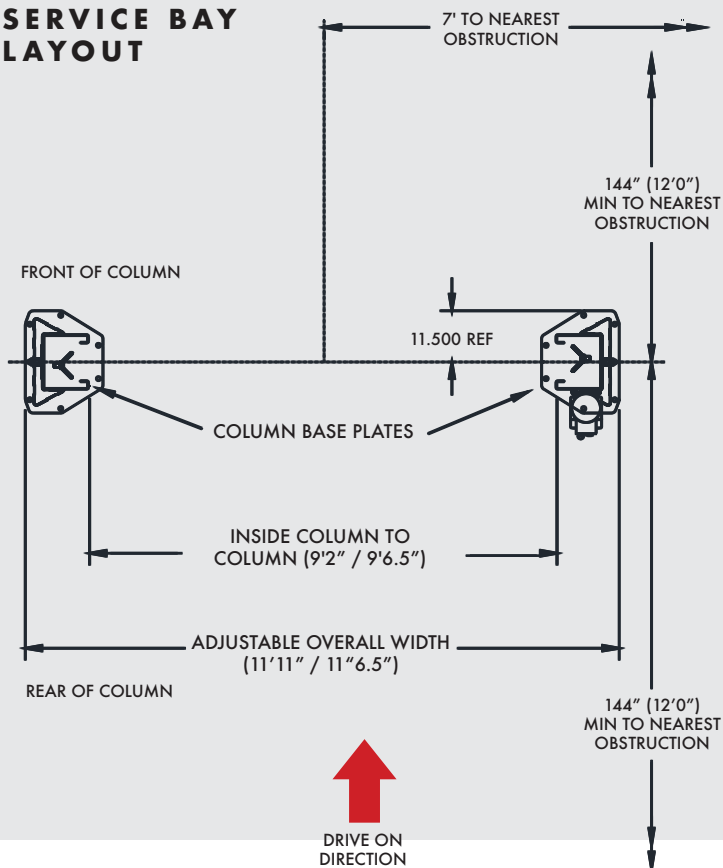
CL10V3

CL Challenger Lifts

SITE SPECIFICATIONS

- **BAY HEIGHT:** 12' minimum
- **BAY WIDTH:** 12' recommended
- **BAY DEPTH:** 24' recommended
- **POWER REQ.:** 208-230v Single Phase*, 30-amp breaker
- **MIN. CONCRETE SPEC:** 4" thick, reinforced, free from cracks/seams, rated at 3500+ psi, cured at least 28 days

SERVICE BAY LAYOUT



| Model Number | CL10V3 | CL10V3-DPC | CL10V3-QC | CL10V3-DPC-QC |
|------------------------------------|---------------------------------------|------------|-----------|---------------|
| Lifting Capacity | 10,000 lbs. | | | |
| Lifting Configuration | Versymmetric (Symmetric & Asymmetric) | | | |
| Arms | 3-stage front/3-stage rear | | | |
| Rise Height | 74.125" | | | |
| Overall Height | 140" | | | |
| Overall Height (Cylinder Extended) | 143" | | | |
| Overall Width | 138.5" / 143" | | | |
| Drive-Thru Clearance | 100" / 104.5" | | | |
| Floor to Overhead Switch | 134.5" | | | |
| Front Arm Reach | 20" / 42" | | | |
| Rear Arm Reach | 37.625" / 60" | | | |
| Screw Pad Height | 3.875" / 6.125" | | | |
| Inside Columns | 110" / 114.5" | | | |
| Motor / Voltage | 2HP, 208v-230v, 60Hz, 1Ph | | | |
| Speed of Rise | 38 s | | 27 s | |
| Ceiling Height Required | 12' | | | |
| ALI/ETL Certified | √ | √ | √ | √ |
| 2' Height Extension Available | √ | √ | √ | √ |
| 3' Height Extension Available | √ | √ | √ | √ |
| Featuring Quick Cycle | - | - | √ | √ |
| Featuring Dual Pendant Controls | - | √ | - | √ |

Colors Available



*3-phase upgrade is available for purchase

www.challengerlifts.com
1-800-648-5438