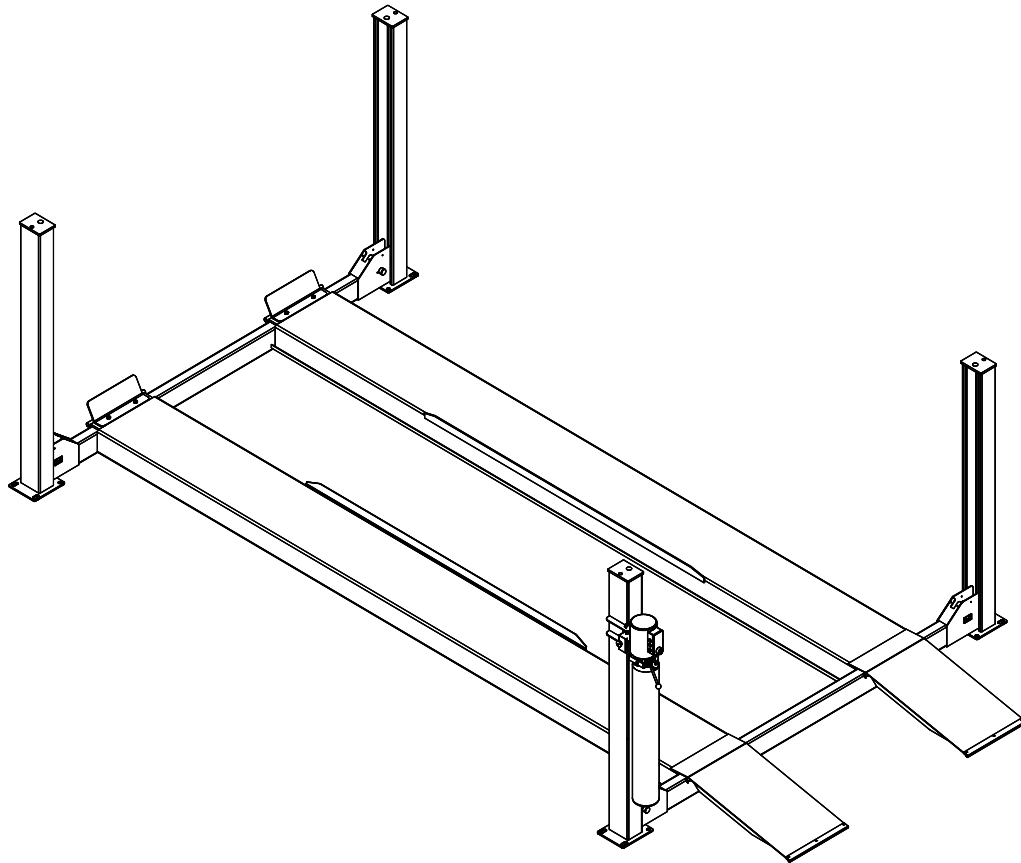


CL Challenger Lifts

Installation, Operation & Maintenance Manual Four Post Surface Mounted Lift



Model 4015

**Closed Front
(15,000 lb Capacity)**

2311 South Park Rd Louisville, Kentucky 40206
Email: sales@challengerlifts.com Web site: www.challengerlifts.com

Office 800-648-5438 / 502-625-0700 Fax 502-587-1933

**IMPORTANT: READ THIS MANUAL COMPLETELY BEFORE
INSTALLING or OPERATING LIFT**

Model 4015 Closed Front
Installation, Operation and Maintenance

GENERAL SPECIFICATIONS

MODEL: 4015 [E OR X] [A OR F] [O OR X]

[LENGTH] [ALIGN OR FLAT DECK] [OPEN OR CLOSED FRONT]

SPECIFICATIONS	4015EAX	4015XAX	4015EFX	4015XFX
A Length Overall	20' 5¾"	22' 9¼"	20' 5¾"	22' 9¼"
B Width Overall	11' 2 ½"			
C Inside Columns	120"			
D Between Columns	16' 4"	18' 7½"	16' 4"	18' 7½"
E Height of Columns	93½" rear			
F Height of Runways	7"			
G Width of Runways	20"			
H Width Between Runways	40" or 43"			
I Maximum Wheelbase *	182½"	210"	182½"	210"
J Max. 2 Wheel Alignment	166½"	194"	N/A	
K 4 Wheel Alignment	88" - 158"		N/A	
L Rise Height	78"			
Lifting Capacity (Hydraulic Pressure at Cap.)	15,000 lbs. (2190 psi)			
Air Supply Required	90-120 psi Clean & Dry			
Motor	2HP			
Voltage (Single Phase Std.) **	208v-230v			
Rise Time	85 Seconds (approximate)			
Min. Recommended Bay Size	12' x 24'	12' x 26'	12' x 24'	12' x 26'

* Wheelbase is based on a tire diameter of 30"

** Optional 3 phase, 50/60Hz, 208, 230 or 460V available.

